



microPARADE

LINEAR MODULES

microPARADE is an extremely compact modular bar, ideal for wall grazing effects owing to its specifically developed modular optics groups. Available with 12, 24 or 36 mid-power LEDs, this linear profile delivers optimal efficacy and reliability beside a richer alternative of intense and bright colour hues. Housing in-built electronics and power supply unit, its lightweight chassis allows comfortable outdoor installations on balconies, windows or façades where a reduced mounting space drastically limits the range of suitable products.

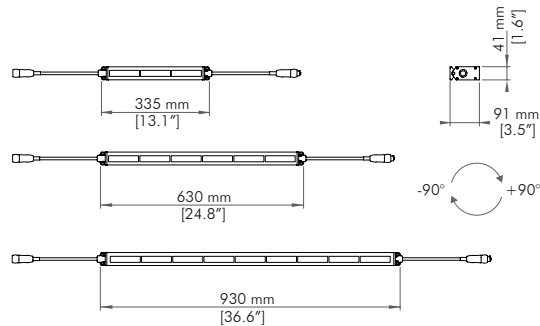


microPARADE

GRIVEN 

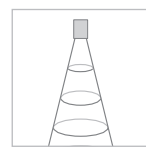
microPARADE

GRIVEND 



BEAM ANGLE REFERENCE

ELLIPTICAL 35°x93°
WALL WASH 23°(5° incline)x98°



MAX OUTPUT
2926 lm
(WW CW configuration)

PHOTOMETRIC DETAILS AVAILABLE ON OUR WEBSITE

FEATURES AND OPTIONS



ACCESSORIES



AL5058 C START LINE BOX
(with connectors)
AL5058 M START LINE BOX
(without connectors)



AL5167 C REPOWER BOX
(with connectors)
AL5167 M REPOWER BOX
(without connectors)



AL5059 C DMX JUNCTION
BOX (with connectors)
AL5059 M DMX JUNCTION
BOX (without connectors)



AL8264 1 m CONNECTION CABLE
AL8265 2 m CONNECTION CABLE
AL8266 3 m CONNECTION CABLE
AL8267 5 m CONNECTION CABLE
AL8268 10 m CONNECTION CABLE



AL2660
WEEZERD 1



AL5168
LINE END CAP



AL5169
DMX TERMINATOR

CODES

AL4362 microPARADE 12
AL4363 microPARADE 24
AL4364 microPARADE 36

OPTICS

EL Elliptical
WW Wall Wash

LED TYPE

RN RGB+W 4000K
DW From 2700K to 6500K
CW Cold White 6500K
NW Natural White 4000K
WW Warm White 3000K

FINISH

W White RAL 9003
G GRIVEN Grey
A Anthracite RAL 7016
B Black RAL 9005

OPTION

M Fitted with in and out
DMX and power cables
C Fitted with in and out
DMX and power cables
and connectors

NOTES

Unless an RDM control is used, microPARADE must always be purchased with one AL2660 WeeZerd 1 to set its DMX address.

TECHNICAL SPECIFICATIONS

microPARADE is an extremely compact IP67 bar specific for wall grazing effects, whose extruded aluminium body hosts either 12, 24 or 36 mid RGBW, Dynamic White, Cold White, Natural White, Warm White or, on request, monochrome power LEDs. Dimensions: 335/630/930 mm X 41 mm x 91 mm. Available in DMX, automatic and Master-Slave mode, it also features RFU (Remote firmware update), RDM (Remote device management), functions. Unless an RDM compatible control is used, microPARADE must always be purchased with AL2660 WeeZerd 1 to set its DMX address. Power supply: standard 100÷277V / 50-60Hz. Power consumption: microPARADE 12: 0.11A @ 230V / 11W ca. microPARADE 24: 0.17A @ 230V / 19W ca. microPARADE 36: 0.23A @ 230V / 28W ca. An Electrical Class I appliance, it also features self-resetting fuse protection as well as integrated electronic thermal protection management. Operating temperature: -20°C to 50°C (-4°F to 122°F).

DIGITAL CONTROL SYSTEM SPECIFICATIONS AND CONFIGURATIONS AVAILABLE ON OUR WEBSITE



CHECHEN REPUBLIC, RUSSIA_The Pride of Muslims Mosque, Shali